

RJ21T3AA0PT/ST

1/1.8-type CCD with 6 360 k pixels

LZ9KA12

Timing generator

Under development

< Outline >

RJ21T3AA0PT/ST are 1/1.8-type high-sensitivity CCDs with 6 360k pixels, targeted for general-purpose-use digital still cameras. Adoption will enable small size and high performance for 3-field read-out and clear high-definition photography. LZ9KA12 is a timing generator for 6 360k/4 190k-pixel CCDs. By adoption of a thin 64VQFN package, mounting efficiency has been raised, which contributes to the miniaturization of applications.

< Main Specifications >

<RJ21T3AA0PT/ST>

- Optical size: 1/1.8-type
- Total number of pixels: 6 360 k pixels
(2 934(H) x 2 167(H))
- Image pixels: 6 200k pixels
(2 872 (H) x 2 160 (V))
- Square pixel
- Pixel size: 2.5 μm x 2.5 μm
- Transfer method: Interline scan format
- Still image read: 3-field read
- Sensitivity: 110 mV
- Saturation output voltage: 600 mV (TYP.)
- Smear ratio: -90 dB (TYP.)
- Operating temperature range: -20 to +70°C
- Power supply voltage: -8.0 V, 3.3 V, 15.5 V

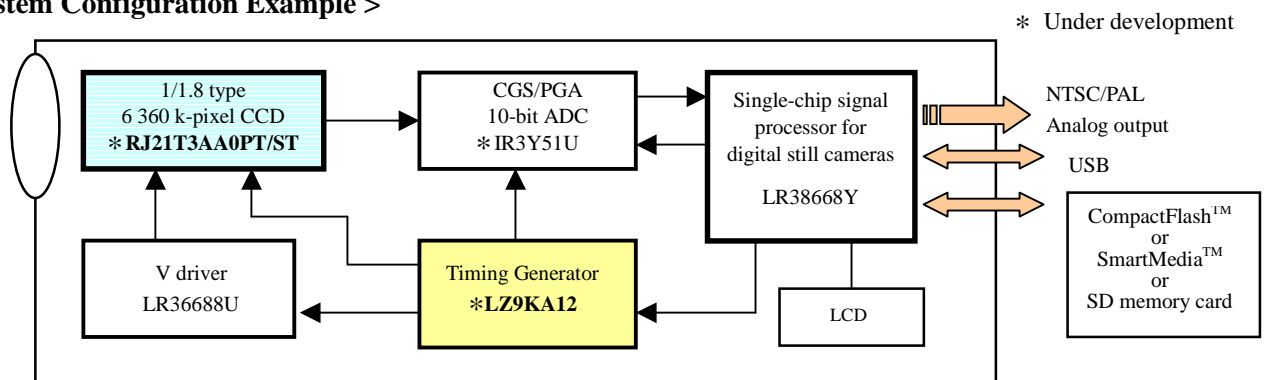
- Package

- RJ21T3AA0PT: 20DIP (P-DIP020-0500)
- RJ21T3AA0ST: 20SOP (P-SOP020-0525)

<LZ9KA12>

- Compatible CCD: 6 360k/4 190k-pixel
- Monitoring image: 25 frames/sec
- Still image: 2.7 frames/sec
- Power supply voltage: 3.3 to 3.6 V
- Power consumption: 380 mW
- Internal operating frequency: 49 MHz
- Operating temperature range: -20 to +70°C
- Package: 64VQFN (P-VQFN064-0808)

< System Configuration Example >



- CompactFlash is a trademark of SanDisc Corporation.
- SmartMedia is a trademark of Toshiba Corporation.

Contact SHARP in order to obtain the latest device specification sheets before using any SHARP device. Manufacturing locations are also subject to change without notice. In the absence of confirmation by device specification sheets, SHARP takes no responsibility for any defects that occur in equipment using any SHARP devices shown in catalogs, data books, etc.

The circuit application examples in this publication are provided to explain representative applications of SHARP devices and are not intended to guarantee any circuit design or license any intellectual property right. SHARP takes no responsibility for any problems related to any intellectual property right of a third party resulting from the use of SHARP devices.

SHARP reserves the right to make changes in the specifications, characteristics, data, materials, structures and other contents described herein at any time without notice in order to improve design or reliability.